

HDMI 2.0
Digital Ribbon Cable



with
CoilGuard™

DESCRIPTION

FSR's Next Generation Digital Ribbon Cables utilize a proprietary technology to allow high speed, high definition HDMI signal transmission over distances of up to 328 ft. This durable cable is fitted with a discreet stainless steel reinforced inner jacket and an outer black jacket that allows the cable to withstand rough service during and to blend in after installation. The hybrid fiber/copper cables deliver a speed of 18 Gb/sec video bandwidth. They can easily handle up to 4k 60Hz 4:4:4 HDR uncompressed HDMI video and are ARC compatible. The cables come pre-terminated in convenient lengths. These advanced technology cables use four glass fibers, seven copper wires and supply the necessary power to the embedded circuitry at both ends of the cable. They meet the HDMI 2.0 / HDCP 2.2 testing standards. The connector shells are labeled "source" and "display" to aid in proper connections.

ORDERING INFORMATION

Item #	Item Name	Length Meters (Feet)
18167	DR-H2.0-SR-10M	10 (33)
18168	DR-H2.0-SR-15M	15 (50)
18169	DR-H2.0-SR-23M	23 (75)
18170	DR-H2.0-SR-30M	30 (100)
18171	DR-H2.0-SR-50M	50 (165)
18172	DR-H2.0-SR-70M	70 (230)
18173	DR-H2.0-SR-100M	100 (328)

FEATURES

- Stainless steel reinforced construction
- Enhanced pull strength of 100 lbs.
- Suitable for Rough Service. Short term load limit of 2000N/100mm (450lbs./4")
- HDMI 2.0 with 4k@60Hz YUV 4:4:4 and HDCP 2.2 compliance.
- Overcomes distance limitations of conventional HDMI cables
- Competitive in cost to older cable types
- Signal integrity is uncompromised
- Multi format compatibility
- No external power or special tooling required
- Cable and connectors easily fit within a 1" conduit
- Supports DDC for HDCP and EDID
- Supports PCM, Dolby, DTS-HD & True HD audio
- ARC compatible

APPLICATIONS

Great for temporary or permanent installation in high traffic areas like:

- Auditoriums
- Concert Halls
- Terminals
- Common Areas
- Hospitality
- Training Rooms
- Trade Shows
- Rentals



Specifications are subject to change without notice.

FSR Inc.

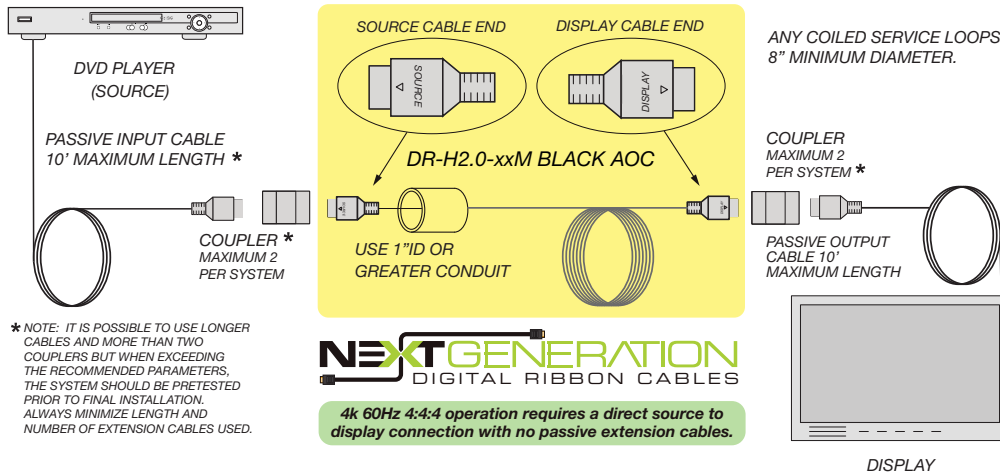
244 Bergen Boulevard, Woodland Park, NJ 07424
Phone: 973.785.4347 · Fax: 973.785.4207
Order Desk: 1-800-332-FSR1
Web: www.fsrinc.com · E-mail: sales@fsrinc.com

SPECIFICATIONS

Performance Characteristics	
Video Connectors	Male HDMI
Maximum Length	328' (100 meters)
Cable Dimensions	See dimension drawings below
Compliance	RoHS, UL444, CSA C22.2 No. 214, UL 746A
HDMI Cable Type	High-Speed HDMI
Total Power Consumption	0.25 Watts
Endurance at Bend Radius	Over 10k cycles at 2" (50 mm) Radius
Minimum Bend Radius	0.5" (12.7mm)
Maximum Tensile Load	100 lbs.
Environmental Performance	
Operating Temperature Range	+32° F to +122° F (0 ° to +50°C)
Maximum Operating Humidity	85%
Storage Temperature Range	-22° to +122° F (-30° to +50°C)
Product Specifications	
<ul style="list-style-type: none"> Up to 4k 60Hz 4:4:4 HDR uncompressed HDMI video 3D Deep Color 18 Gb/sec video bandwidth 	<ul style="list-style-type: none"> Supports DDC for HDCP and EDID HDMI-CEC ARC compatible Supports PCM, Dolby, DTS-HD and True HD audio

****4k 60Hz 4:4:4 performance requires a direct connection from source to display.**

APPLICATIONS

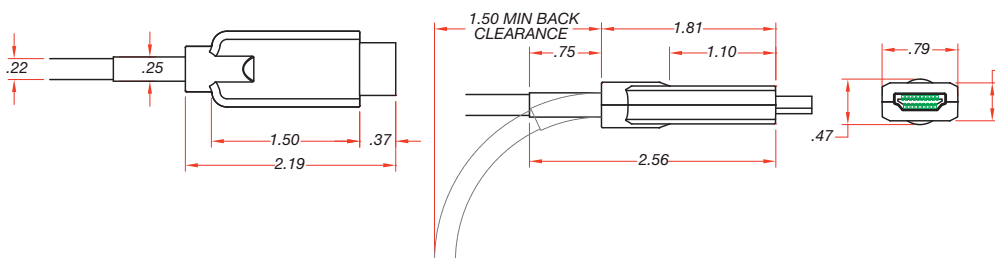


IMPORTANT:
Do not use any pulling method that will result in a localized twisting of the cable or damage will result and the warranty will be voided.

The DR-SOCK is perfect protection for pulling pre-connectorized cable through conduit, and can be used over and over.



DIMENSIONS



FSR Inc.

244 Bergen Boulevard
Woodland Park, NJ 07424
Phone: 973.785.4347
Fax: 973.785.4207
Order Desk: 1-800-332-FSR1
Web: www.fsrinc.com
E-mail: sales@fsrinc.com